

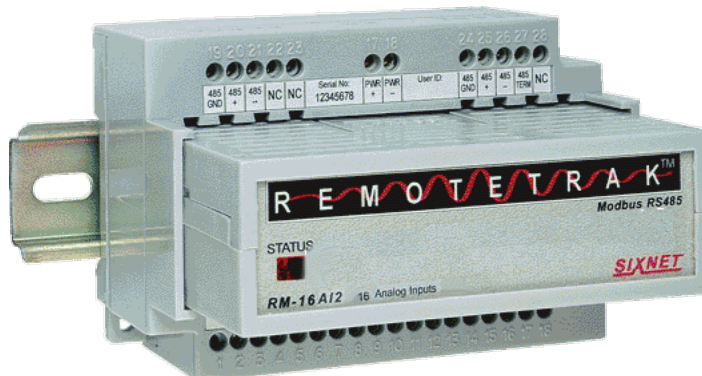
# Sixnet

## REMOTETRAK™

Select RM-8AI2 when the convenience of field ready wiring will save you time and you only need eight channels per module and select RM-16AI2 when you need the lowest cost per channel 4-20 mA analog inputs.

### PRODUCT HIGHLIGHTS

- 16 bit A/D converter for precision measurements
- Smart filtering provides excellent noise rejection
- Isolation on the RS485 lines eliminates ground loops
- Field replaceable current shunts save maintenance time
- Field configurable wiring choice for loop-powered transmitters or ground return instruments (RM-8AI2 only)



### PRODUCT HIGHLIGHTS

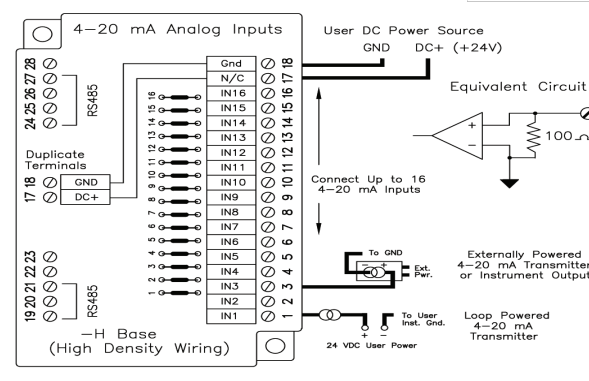
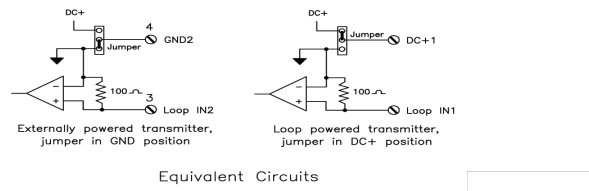
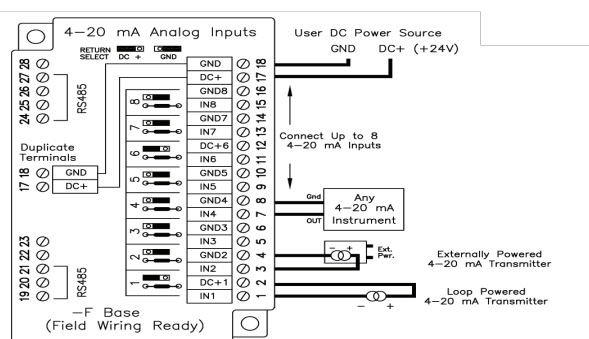
- 8 or 16 channels
- Input range 4-20 mA
- A/D resolution 16 bits (0.003%)
- Full scale accuracy (@ 20° C) +/- 0.10%
- Span and offset temp. coefficient +/- 50 ppm per °C
- Input impedance 100 Ohms
- DMRR (differential rejection at 50/60 Hz) 66 dB
- Input current protection Replaceable shunts
- Max. scan rate (8 channels) 500 mS
- Max. scan rate (16 channels) 1000 mS

### ENVIRONMENTAL

- RS485 isolation 1200 Volts RMS 1 minute
- Required supply voltage 10-30 VDC (0.5 watt typical)
- Operating temperature range -30 to 70° C
- Storage temperature range -40 to 85° C
- Humidity (non-condensing) 5 to 95%
- Flammability (module plastic) UL 94V-0 materials
- Electrical safety UL 508, CSA C22.2/14; EN61010-1 (IEC1010), CE
- EMI emissions FCC part 15, ICES-003, Class A; EN55022, CE
- EMC immunity EN50082-1 (IEC801-2, 3, 4) CE
- Surge withstand IEEE-472 (ANSI C37.90)
- Vibration IEC68-2-6
- Hazardous locations UL 1604, CSA C22.2/213-M1987, (Class I, Div 2, Groups A, B, C, D), EN50021 (zone 2)
- Marine/offshore tested and/or verified to meet various marine and maritime standards

All specifications are subject to change. Consult factory for latest info.

SIXNET Technology Park • 331 Ushers Road • Ballston Lake, NY 12019 USA  
+1 518.877.5173 • Fax +1 518.877.8346 • sales@sixnet.com



**ORDERING INFORMATION**

RM-8AI2-F - 8 channels with field wiring base  
 RM-16AI2-H - 16 channels with high density base  
 RM-8AI2-M - Replacement module only  
 RM-16AI2-M - Replacement module only