

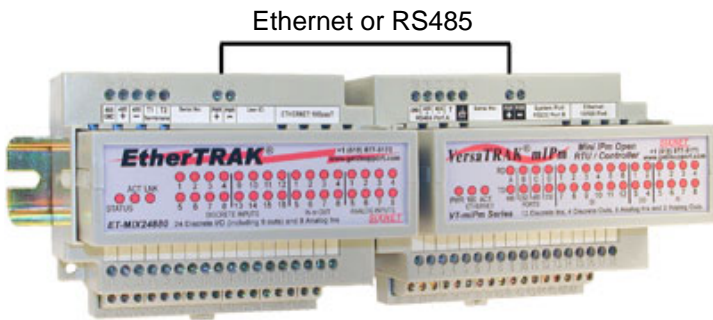
EtherTRAK[®] Combination I/O Module

Double Density I/O for Direct Ethernet or RS485 Connections

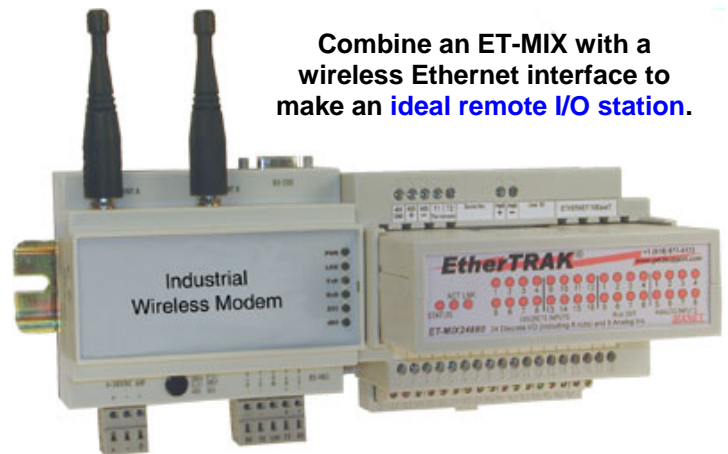
Select an ET-MIX module when . . .

. . . you have a mix of I/O types or limited panel space and a direct Ethernet or RS485 connection is required.

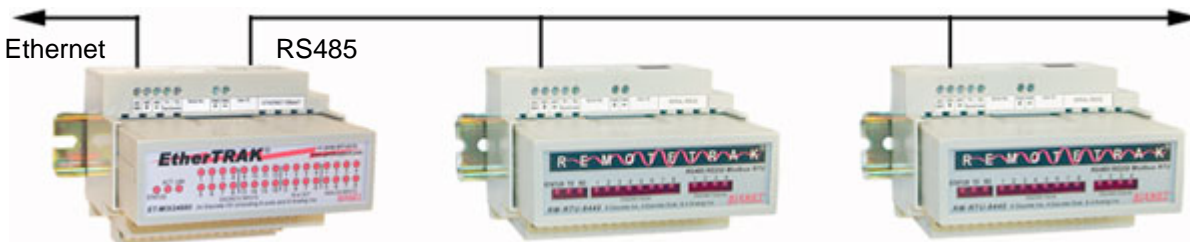
- 24 Discrete Inputs and/or 8 Discrete Outputs and 8 Analog Inputs in one compact module
- Ethernet or RS485 Modbus compatibility
- High density design saves space and cost
- 16 bit A/D for precision measurements
- True hot swap of modules in live systems



Use this EtherTRAK I/O module to expand a VT-MIPM RTU to 58 I/O points.



Combine an ET-MIX with a wireless Ethernet interface to make an ideal remote I/O station.

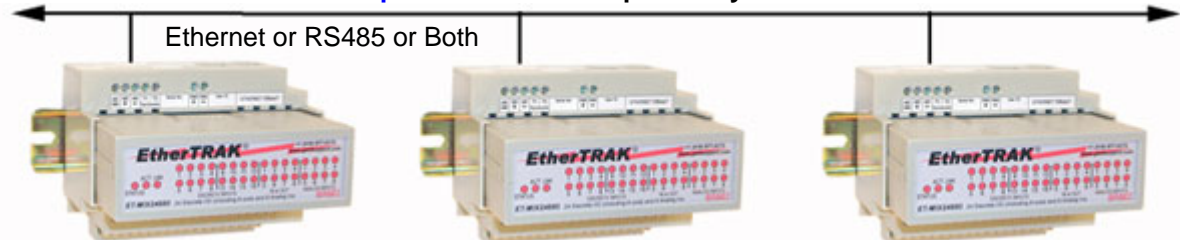


Connect to any Modbus I/O (ASCII or RTU).

The ET-MIX is expandable with RS485. Connect any RemoteTRAK or Modbus I/O to the single Ethernet link . . .

. . . or use the RS485 as a redundant backup communications path for your Ethernet I/O network.

Distribute ET-MIX modules with Ethernet or RS485 up to long distances.



ET-MIX24880-D Performance Specifications

Ethernet Port	10BaseT at 10 Mbps
Isolation	1200 Volts RMS 1 minute
Protocols	SIXNET and Modbus over TCP/IP or UDP
RS485 Port	Up to 38,400 baud
Operation	Master (passthru) or slave
Supported modes (see the Usage Tips in the catalog for details)	Expansion I/O (as a master), distributed I/O or backup communications path (as a slave)
Protocols	SIXNET, Modbus RTU / ASCII
Maximum distance	Up to 0.5 mile (0.8 km)
Environmental	DIN rail or panel mount
Required user supply	10-30 VDC
Power (typ.) @ 24 VDC	1 Watt, 42 mA (excluding I/O)
Operating temp. range	-40 to +70°C
Storage temp. range	-40 to +85°C
Humidity (non-conden.)	5 to 95% RH
Vibration	IEC68-2-6
Electrical safety	UL508, CSA C22.2/14; EN61010
EMI emissions	FCC part 15, ICES-003; EN55022
EMC immunity	EN50082-1, EN61326-1
Surge withstand	IEEE-472
Hazardous locations (Class 1, Div 2 / Zone 2)	UL1604, CSA C22.2/213, EN50021, EEx nA II T4 X
Marine/offshore locations	Det Norske Veritas (DNV) No. 2.4 (Class A & B)

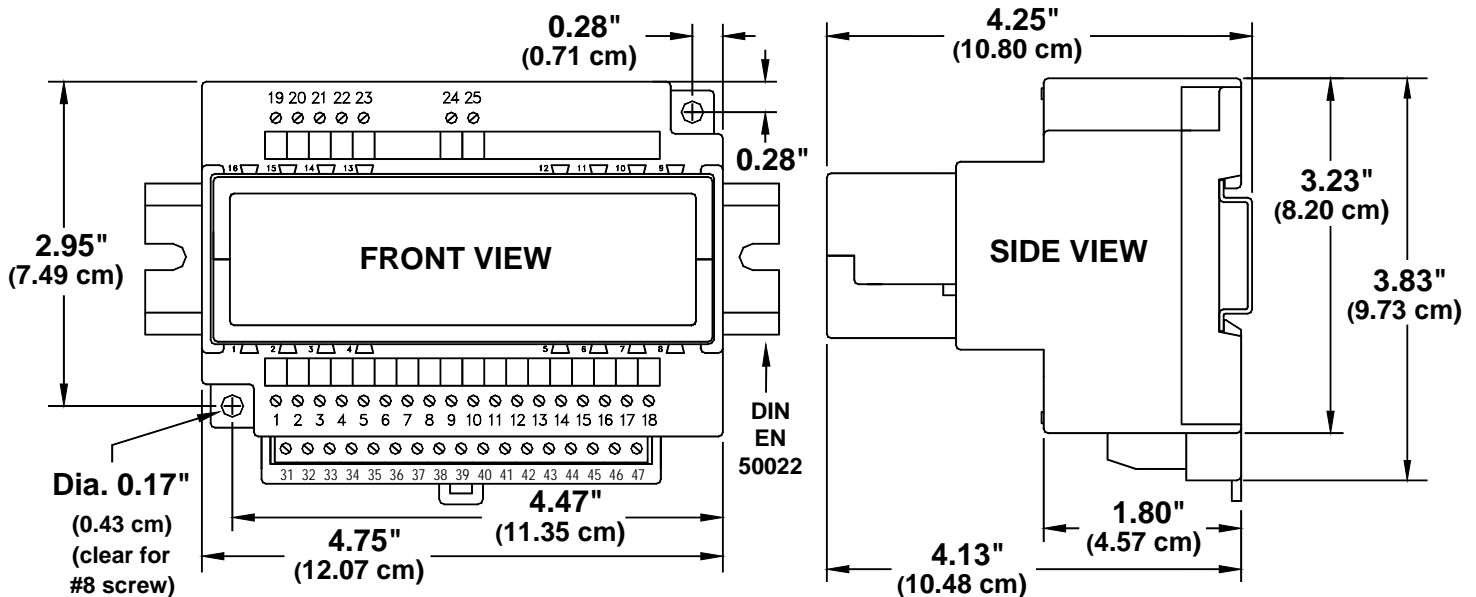
24 Discrete inputs *	10-30 VDC
Channels 1 through 8	Sinking or sourcing (as a group)
Channels 9 through 24	Sourcing only
Guaranteed ON voltage	9 VDC
Guaranteed OFF voltage	5.0 VDC
Guaranteed OFF current	1.5 mA DC
Input resistance & current	10K Ohms & 2.4 mA @ 24VDC
Filtered ON/OFF delay	25 mS (10 Hz max. counting)
Fast ON/OFF delay	4 mS (100 Hz max. counting)
Counters on 1 st 8 channels	50 KHz on channel 1 and 2
Counter modes	Count up, run time and pulse rate (with selectable time bases)
8 Discrete Outputs *	10-30 VDC
Max. output current	1A per channel, 8A per module
Max. OFF state leakage	0.05 mA
Min. load	1 mA
Inrush current	5 Amps (100 mS surge)
Typ. ON resistance / volt.	0.3 Ohms / 0.3 VDC (@ 1A)
8 Analog Inputs	4-20 mA (other ranges available)
A/D resolution	16 bits (0.003%)
Full scale accuracy	+/-0.1% (@20°C)
Span & offset temp. coeff.	+/-50 ppm per degree C
Input impedance	100 Ohm
Current protection	Self-resetting fuses
DMRR	66 dB at 50/60 Hz
Short circuit protection	Current limiting

* Note: Discrete I/O channels 16-24 can be configured individually to be discrete inputs or discrete outputs.

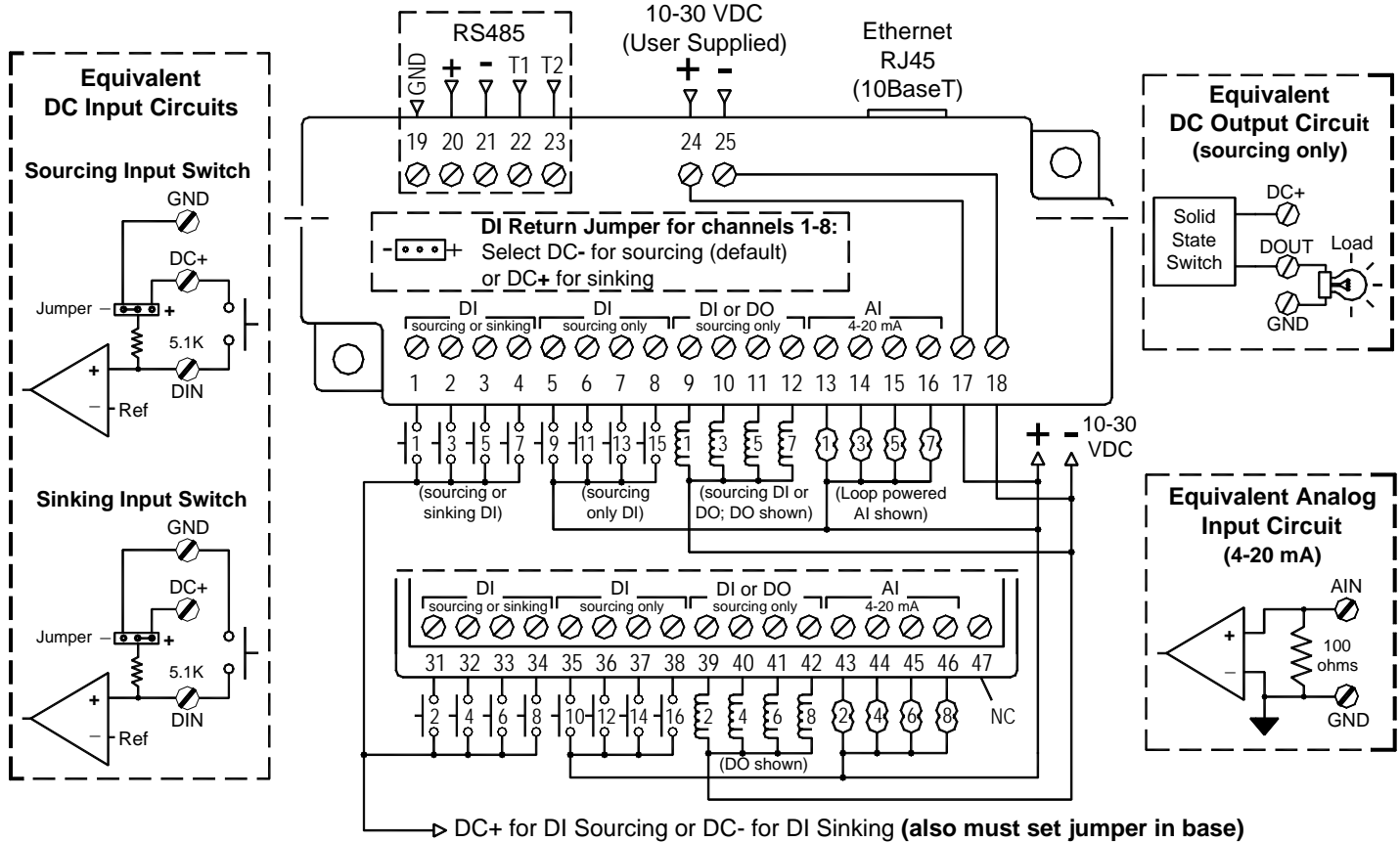
There are a total of 24 discrete I/O channels.

Specifications are subject to change. Consult the factory for the latest information.

ET-MIX24880-D Mechanical Dimensions



ET-MIX24880-D Power and I/O Wiring



I/O Group Descriptions:

1 st Group of 8 DI	2 nd Group of 8 DI	3 rd Group of 8 DI/O	Analog Input Group
<ul style="list-style-type: none"> Sinking or sourcing (select as group with jumper) Can be counters up to 100Hz (50 KHz on channel 1 and 2) Input threshold can be lowered to 4 Volts by modifying the base 	<ul style="list-style-type: none"> Sourcing 10-30 VDC only No software counters 	<ul style="list-style-type: none"> Can be individually configured as sourcing discrete inputs or outputs Input channels monitor state of outputs to detect shorts or open circuits 	<ul style="list-style-type: none"> Single-ended 4-20 mA inputs w/ common ground Voltage ranges available with special wiring base (contact SIXNET)

ET-MIX24880-D Ordering Information

ET-MIX24880-D	Module and wiring base pair
ET-MIX24880-M	Replacement module only
ET-MIX24880-DB	Replacement wiring base only
RM-PS-024-01F	Optional AC to DC power supply, 1A

Certified to Perform:



ISO9001
Certified



Class 1, Div II &
Cenelec Zone 2



European
Community



UL508
for Safety



Marine &
Offshore



Request Your
Free Product CD
at
www.sixnetio.com