

Select an ET-8AI2-4AO2 when...

...you need a mix of 4-20 mA analog inputs and outputs at the same location.

- Single compact solution for small stations
- Lowest cost for small analog applications
- Input/output combination is ideal for control
- May be expanded with RemoteTRAK® I/O

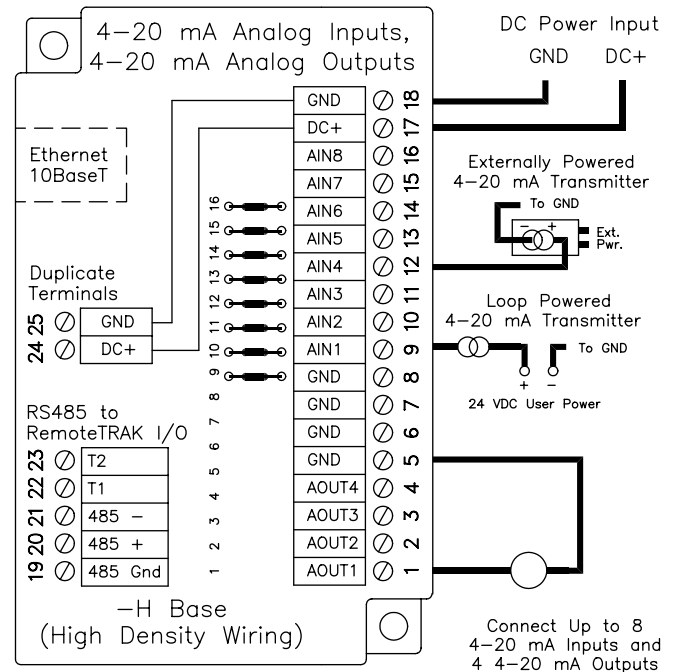


Performance Specifications

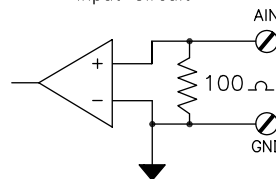
Number of analog inputs	8
Analog input range	4-20 mA
Analog input resolution	14 bits (0.01%)
Analog input characteristics	Same as ET-16AI2
Number of analog outputs	4
Output range	4-20 mA
D/A resolution	16 bits (less than 1µA)
Full scale accuracy (@20°C)	+/- 0.02%
Span and offset temp. coefficient	+/- 50 ppm per °C typical
Max. output settling time (to 0.05%)	5 mS
Required user supplied voltage	10-30 VDC
Load resistance range (@ +24 VDC supply)	0-750 Ohms
Short circuit protection	Current limiting
Fastest scan rate (all channels)	5 mS
Required supply voltage	10-30 VDC (0.75 watt typical)
Operating temperature range	-30 to 70° C
Storage temperature range	-40 to 85° C
Humidity (non-condensing)	5 to 95%

RS485 Port for I/O Expansion

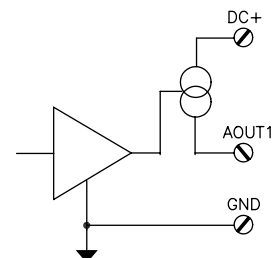
Max. RemoteTRAK modules	32 (up to 512 I/O)
Protocol	SIXNET "I/O for Windows" and Modbus ASCII and RTU
Baud rate	38,400 bps
Recommended distance	Up to 0.5 mile
Isolation (from Ethernet port)	1200 Volts RMS 1 minute



Equivalent 4-20 mA Input Circuit



Equivalent 4-20 mA Output Circuit



Ordering Information

Description	Part Number
8AI and 4AO with wiring base	ET-8AI2-4AO2-H
Replacement module only	ET-8AI2-4AO2-M