

### Select an ET-8DI2-8AI2 when...

...you need to monitor both discrete and analog inputs over an Ethernet network.

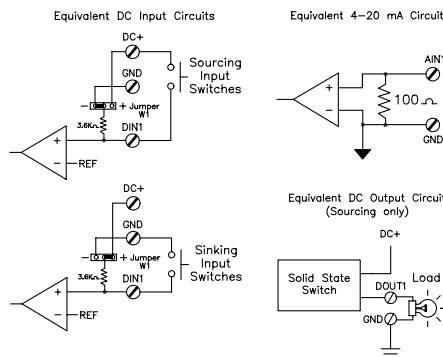
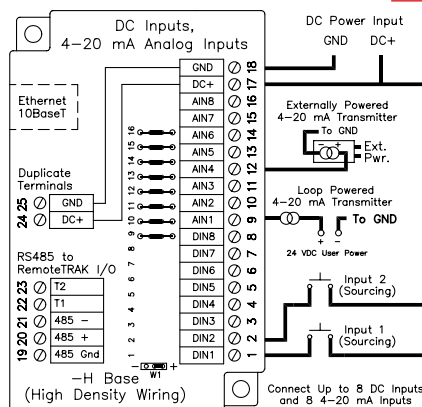
### Select an ET-8DI2-8DO2 when...

...you need a mix of discrete inputs and outputs for control at a remote location.

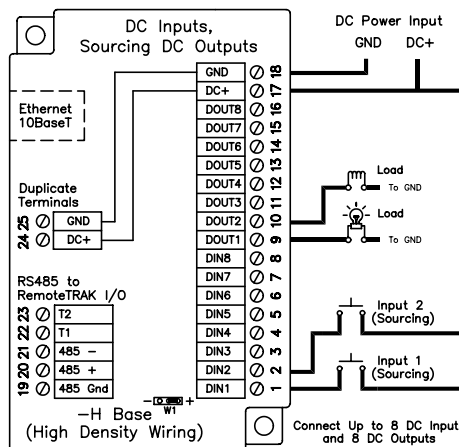
- Single module compact solutions for small stations
- Lowest cost solution when mixed I/O is needed
- Can be expanded with RemoteTRAK® I/O
- Ideal "RTU" for networked systems



**ET-8DI2-8AI2**



**ET-8DI2-8DO2**



### Performance Specifications

Number of discrete inputs	8
Nominal discrete input range	12/24 VDC/VAC
Discrete input characteristics	Same as ET-16DI2
Number of analog inputs	8 (-8AI2 module only)
Analog input range	4-20 mA
Analog input resolution	14 bits (0.01%)
Analog input characteristics	Same as ET-16AI2
Number of discrete outputs	8 (-8DO2 module only)
Max. output current per channel	1 Amp
Discrete output characteristics	Same as ET-16DO2
Filtered Mode ON/OFF delay	25 mS
Filtered Mode count feature	10 Hz Maximum
Fast Mode count feature	100 Hz Max (2 kHz on channel 1)
Required supply voltage	10-30 VDC (0.75 watt typical)
Operating temperature range	-30 to 70° C
Storage temperature range	-40 to 85° C
Humidity (non-condensing)	5 to 95%

### RS485 Port for I/O Expansion

Max. RemoteTRAK modules	32 (up to 512 I/O)
Protocol	SIXNET "I/O for Windows" and Modbus ASCII and RTU
Baud rate	38,400 bps
Recommended distance	Up to 0.5 mile
Isolation (from Ethernet port)	1200 Volts RMS 1 minute

### Ordering Information

Description	Part Number
8DI and 8AI with wiring base	ET-8DI2-8AI2-H
8DI and 8DO with wiring base	ET-8DI2-8DO2-H
Replacement module only	ET-8DI2-8AI2-M
Replacement module only	ET-8DI2-8DO2-M