

Select an ET-GT-232-1 when...

...you need to connect a Modbus, SIXNET or other RS232 device to an Ethernet network.

Select an ET-GT-485-1 when...

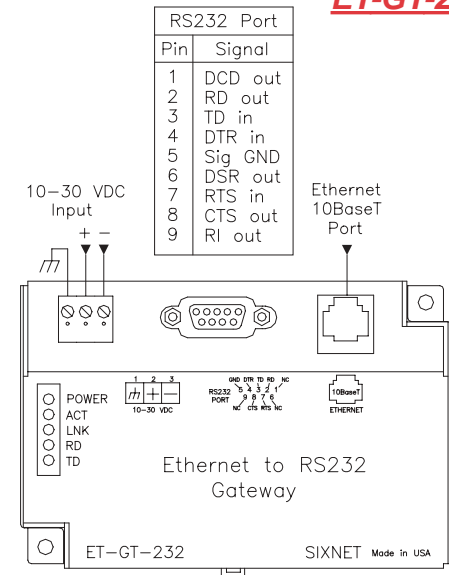
...you need to connect one or more Modbus, SIXNET or other RS485 devices to an Ethernet network.

- Connect serial devices to an Ethernet network
- Supports many protocols - see usage tips
- Supports the Modbus TCP/IP open standard
- Connects to Modbus RTU and ASCII serial devices
- Compatible with all SIXNET serial ports
- The ideal bridge for your legacy systems

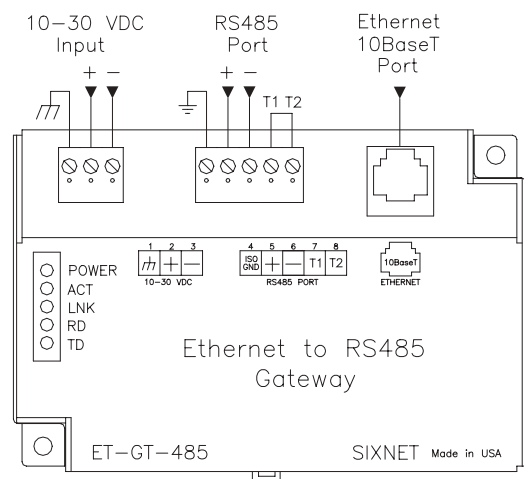
These gateways provide Ethernet access to your existing Modbus, SIXNET or other serial devices. You can gain all the advantages of Ethernet without replacing any hardware. Use these gateways in conjunction with the SIXNET OPC server to interface to any Windows software via OPC or DDE links. Also, most major HMI and SCADA software provide a Modbus/TCP or Modbus/UDP I/O driver that works seamlessly with these gateways.



ET-GT-232-1



ET-GT-485-1



Performance Specifications	
Ethernet port	10BaseT at 10Mbps
Ethernet protocols	TCP/IP or UDP
Serial protocols	SIXNET, Modbus ASCII and Modbus RTU, and others
RS232 port	TD, RD, RTS, CTS, DTR, GND
RS485 port	2 wire (TD, RD, GND)
Max. serial baud rate	57,600
Max. # of RS-485 devices	32
Max. RS485 cable distance	1 km w/ 24 AWG wire & 57,600 2 km w/ 20 AWG wire & 38,400 3.5 km w/ 18 AWG wire & 19,200
RS485 isolation	1200 VRMS 1 minute
Ethernet isolation	1200 VRMS 1 minute
Required supply voltage	10-30 VDC (0.5 watt typical)
Operating temperature range	-30 to 70° C
Storage temperature range	-40 to 85° C
Humidity (non-condensing)	5 to 95 %

Ordering Information

Description	Part Number
Ethernet to RS232 gateway	ET-GT-232-1
Ethernet to RS485 gateway	ET-GT-485-1