



## Performance Specifications

Model		RM-PS-024-01	ET-PS-024-02	ST-PS-024-05
Output	DC voltage	24 VDC (Contact SIXNET for other DC voltages)		
	Rated current	1 Amp	2 Amps	5 Amps
	Current range	0 – 1 Amp	0 – 2 Amps	0 – 5 Amps
	Rated power	24 Watts	48 Watts	120 Watts
	Ripple / noise (max.)	240 mV p-p	480 mV p-p	80 mV p-p
	Voltage adjust	-	21.6 – 26.4 VDC	24 – 28 VDC
	Voltage tolerance	+/- 2%	+/- 1%	+/- 1%
	Line regulation	+/- 0.2%	+/- 1%	+/- 0.5%
	Load regulation	+/- 0.5%	+/- 1%	+/- 1%
	Setup & rise time	200 mS & 30 mS	800 mS & 60 mS	500 mS & 70 mS
Hold time (typ.)	100 mS @ 230 VAC	100 mS @ 230 VAC	36 mS @ 230 VAC	
Input	AC voltage range	85 – 264 VAC		88 – 132, 176 – 264 VAC
	DC voltage range	120 – 370 VDC		248 – 370 VDC
	Frequency range	47 – 63 Hz		
	Efficiency (typ.)	79 %	80%	84%
	AC current (typ.)	0.6 Amp @ 115 VAC, 0.4 Amp @ 230 VAC	1.5 Amps @ 115 VAC, 0.75 Amp @ 230 VAC	2.6 Amps @ 115 VAC, 1.6 Amps @ 230 VAC
	Inrush current	Cold start 36 Amps	Cold start 28 Amps @ 115 VAC, 56 Amps @ 230 VAC	Cold start 20 Amps @ 115 VAC, 40 Amps @ 230 VAC
Leakage current	<0.5 mA @ 240 VAC	<1 mA @ 240 VAC	<3.5 mA @ 240 VAC	
Protection	Over-load	Above 105% rated output, with automatic recovery	105 – 150% rated output, current limiting with automatic recovery	
	Over-voltage	28 – 33 VDC Shut down output, cycle power to recover		
	Over-temperature	135°C, shut down output with automatic recovery		90°C, shut down output with automatic recovery
Environmental	Operation temp.	-35 to +75°C (derate output 2% per °C above 45°C)		-20 to +70°C (derate output 2% per °C above 45°C)
	Storage temp.	-40 to + 85°C		
	Operation humidity	20 to 90% RH non-condensing		
	Storage humidity	10 to 95% RH		
	Temp. coefficient	+/-0.03% per °C		
	Vibration	10 – 500 Hz; 2G 10 min per cycle; 60m period each along X, Y, Z axes		
Standards	Safety	CUL (UL508 / CSA C22.2); TUV EN60950-1		
	Hazardous locations	cUL1604 (CSA C22.2/213); Class I, Division 2 (Zone 2); Groups A, B, C, D		
	Withstand voltage	Input to Output: 3KVAC; Input to GND: 1.5KVAC; Output to GND: 0.5KVAC		
	Isolation resistance	100M Ohms @ 500 VDC		
	EMI emissions	EN55011, EN55022 (CISPR22) Class B		
	EMC immunity	EN61000-4-2, 3, 4, 5; light industry level, criteria A	EN61000-4-2, 3, 4, 5, 6, 8, 11; ENV5024; EN50024; EN61000-6-2 (50082-2); heavy industry level, criteria A	
Harmonic current	EN61000-3-2, EN61000-3-3			
Miscellaneous	MTBF	576,000 hours per MIL- HDBK-217 @ 25°C	365,000 hours per MIL- HDBK-217 @ 25°C	137,000 hours per MIL- HDBK-217 @ 25°C
	Packaging	IP30	IP30	IP20
	Mounting	DIN rail or panel mount	DIN rail	DIN rail
	Weight	0.5 Kg (1.1 lbs)	0.31 Kg (0.6 lbs)	0.79 Kg (1.7 lbs)
	Dims (w x h x d)	121 x 83 x 104 mm (4.8 x 3.3 x 4.1 inches)	78 x 93 x 67 mm (3.0 x 3.6 x 2.7 inches)	66 x 125 x 100 mm (2.6 x 4.9 x 3.9 inches)

Specifications are subject to change. Consult factory for latest information.

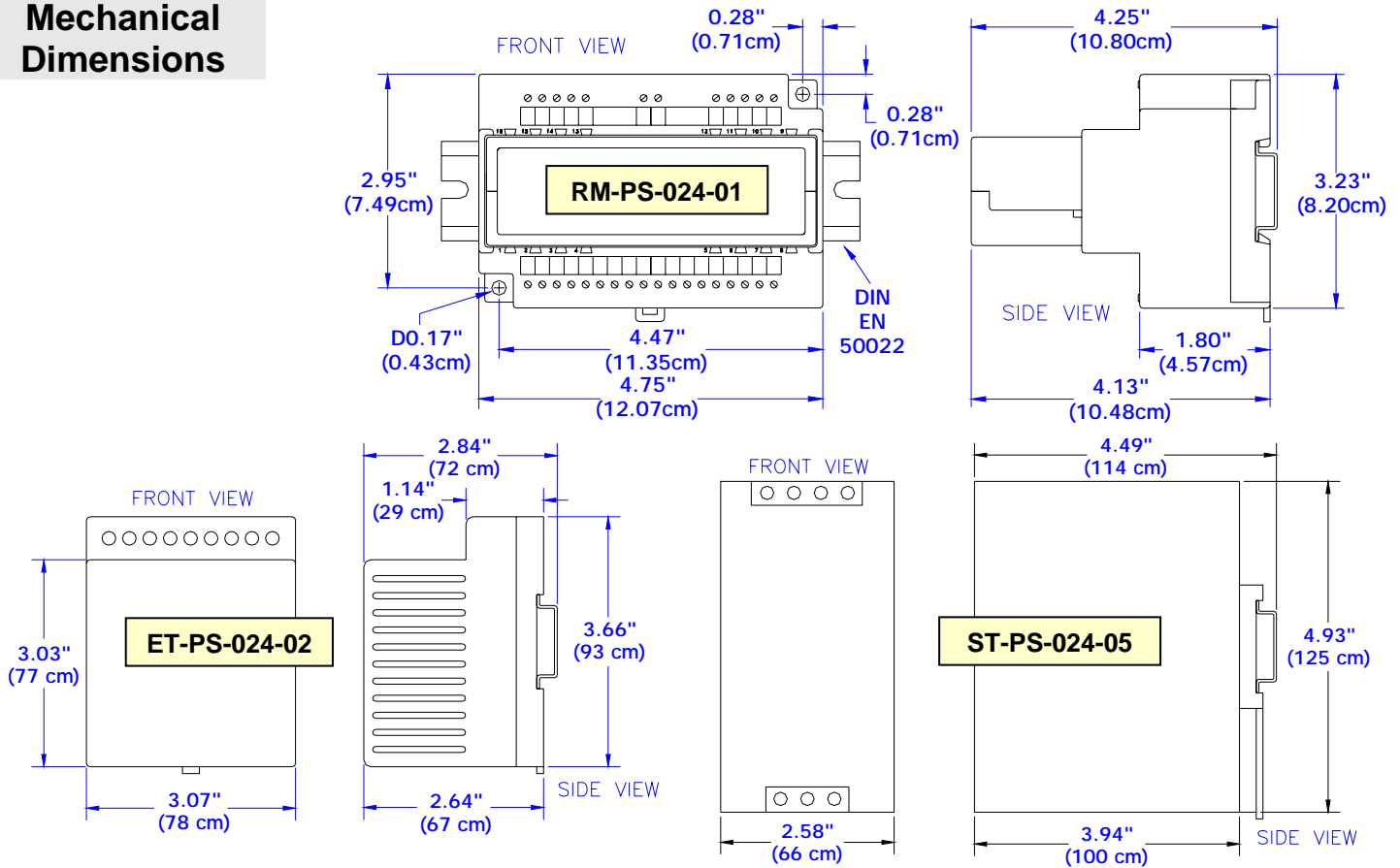
## Ordering Guide

<b>RM-PS-024-01F</b>	AC to 24 VDC power supply; 24 Watts (1 Amp)
<b>ET-PS-024-02</b>	AC to 24 VDC power supply; 48 Watts (2 Amps)
<b>ST-PS-024-05</b>	AC to 24 VDC power supply; 120 Watts (5 Amps)
Note: Other output voltages such as 12 VDC and 48 VDC may be available for special order. Contact SIXNET.	

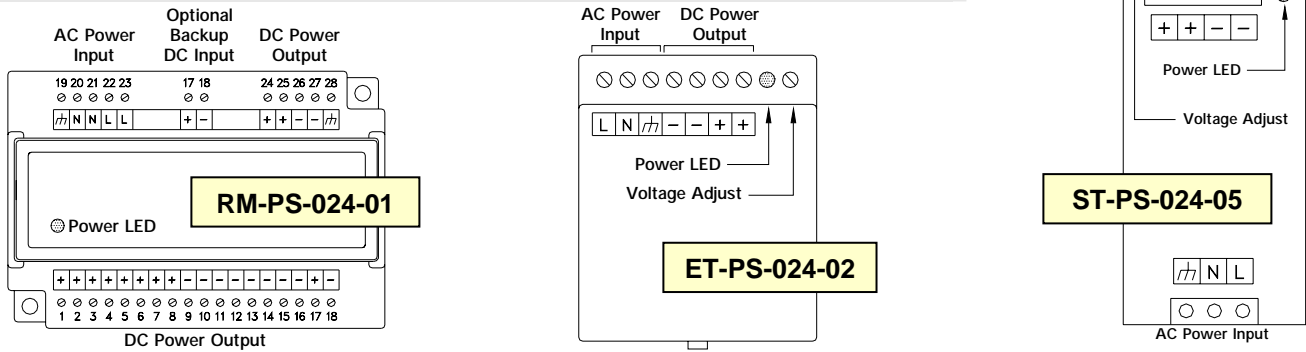
# SIXNET®

331 Ushers Road, P.O. Box 767 • Clifton Park, NY 12065 USA • +1 (518) 877-5173 • Fax +1 (518) 877-8346  
 mailto: [sales@sixnetio.com](mailto:sales@sixnetio.com) • web: <http://www.sixnetio.com> • ecommerce: <http://www.sixnetstore.com>

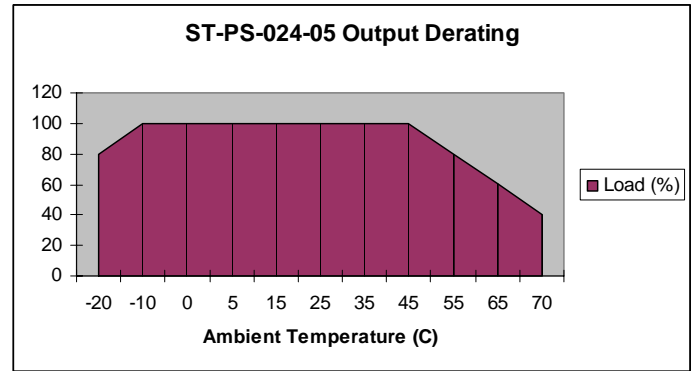
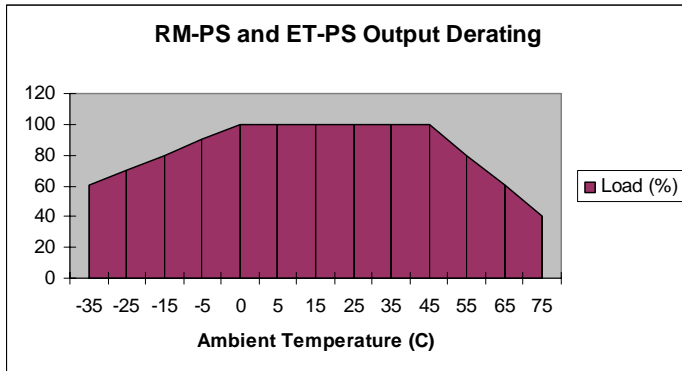
# Mechanical Dimensions



# Power Connections



# Output Derating



# A Complete Family of Automation Solutions

## Ethernet and RS485 I/O

SIXNET can provide you the building blocks for the open systems you are looking for. Three complementary families of modular DIN rail mounted I/O provide local, remote, enterprise level, or Internet I/O solutions.

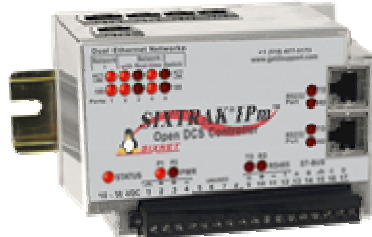
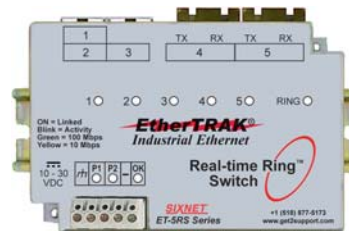


## Industrial Telephone Modems

SIXNET rugged industrial modems eliminate the hassles of mounting a telephone modem in an industrial enclosure. These robust modems are rated for -30 to +70 °C industrial operation.

## Industrial Ring and Managed Switches

SIXNET also offers industrial Ethernet Switches that support fault-tolerant rings, Rapid Spanning Tree Protocol for redundancy, SNMP for easy network management and much more. These switches are rugged, reliable, real-time and most of all, secure.



## Controllers & RTUs with Open-Source Linux

SIXNET IPm is a combination of installation-ready industrial controllers & RTUs and a wealth of powerful software solutions. IPm offers the reliability of a PLC, the familiarity of powerful Windows programming and configuration utilities, all combined with powerful open-source Linux flexibility.



Request Your  
**FREE Product CD** at  
<http://www.sixnetio.com>

Contact your SIXNET Applications Engineer Today!

For the latest information, check out  
<http://www.sixnetio.com>

Power Supply Datasheet - Rev 19-Apr-06

# SIXNET®

331 Ushers Road, P.O. Box 767 • Clifton Park, NY 12065 USA • +1 (518) 877-5173 • Fax +1 (518) 877-8346  
mailto: [sales@sixnetio.com](mailto:sales@sixnetio.com) • web: <http://www.sixnetio.com> • ecommerce: <http://www.sixnetstore.com>