

Select a RM-16DO2 when...

...you need the lowest cost per channel discrete outputs with load current requirements below 1 Amp per channel.

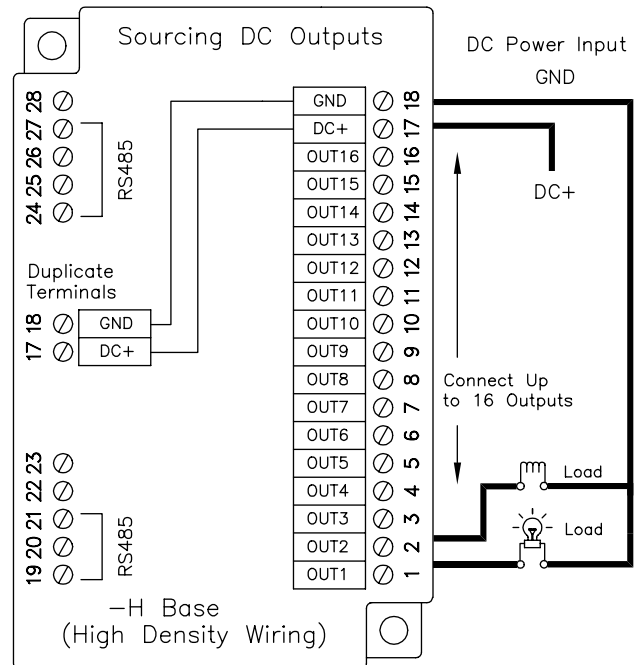
- High density outputs save space
- Lowest cost per channel discrete outputs
- Ideal for driving indicator lights and small relays
- Surge suppressors safely clamp inductive loads



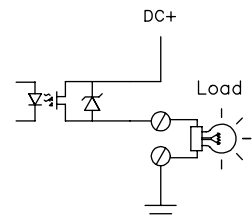
Performance Specifications

Number of channels	16
Output range	10-30 VDC
Max. output current per channel	1 Amp
Max. output current (entire module)	10 Amps
Max. OFF state leakage current	0.05 mA
Min. load current per channel	0.1 mA
Inrush current (100 mS surge)	5 Amps
Typical ON resistance	0.3 Ohms
Typical ON voltage drop (@ 1 Amp)	0.3 VDC

Serial communication information	See page 19
RS485 isolation	1200 Volts RMS 1 minute
Required supply voltage	10-30 VDC (0.5 watt typical)
Operating temperature range	-30 to 70° C
Storage temperature range	-40 to 85° C
Humidity (non-condensing)	5 to 95%



Equivalent Circuit



Ordering Information

Description	Part Number
Module with high density base	RM-16DO2-H
Replacement module only	RM-16DO2-M



Visit our web site for the latest details!
www.sixnetio.com