



RemoteTRAK[®] RTU

Combination I/O module with a RS232 / RS485 Interface

Select a RM-RTU-8440 when . . .

. . . you need I/O in any of the following situations

- Low power RTU for small sites
- I/O with a RS232 connection
- Modbus RS485 combination I/O
- Expansion for EtherTRAK I/O
- Supports radio packeting and phone link



Performance Specifications	
Discrete inputs	8 channels
Voltage range	10-30 VDC
Guaranteed ON voltage	9 VDC
Maximum voltage	30 VDC
Guaranteed OFF voltage & current	5.0 VDC & 1.5 mA DC
Input resistance	5.1K Ohms
Input current @ 24 VDC	4.5 mA
Filtered ON/OFF delay	25 mS (20 Hz max. counting)
Fast ON/OFF delay	4 mS (100 Hz max. counting)
Counters functions (all 8 inputs)	Pulse accumulation (count up) Pulse rate (pulses per sec. or min.) Running time (in sec. or minutes)
Count Rate	100 Hz. (or 20 Hz. when filtered) 2 KHz on channel 1 only
Discrete Outputs	4 channels
Voltage range	10-30 VDC
Maximum output per channel	1 Amp
Maximum output per module	8 Amps
Max. OFF state leakage	0.05 mA
Minimum load	1 mA
Inrush current (100 mS surge)	5 Amps
Typical ON resistance	0.2 Ohms
Typical ON voltage (@1A)	0.2 VDC
Analog Inputs	4 channels
Standard range	4-20 mA
A/D resolution	16 bits (0.003%)
Full scale accuracy	+/-0.1% (@20°C)
Span and offset temp. coefficient	+/-50 ppm per degree C
Input impedance	100 Ohm
Current protection	Self-resetting fuses
DMRR (differential mode rejection)	66 dB at 50/60 Hz

Ordering Information	
RM-RTU-8440-F	Module and wiring base pair
RM-RTU-8440-M	Replacement module only
RM-RTU-8440-FB	Replacement base only
VT-MODEM-1WW	Industrial modem

All SIXNET I/O modules have these great features:

- DIN rail or direct panel mounting
- Rugged Lexan™ packaging
- Hot swappable modules (auto-reconfigure)
- Certified to perform:



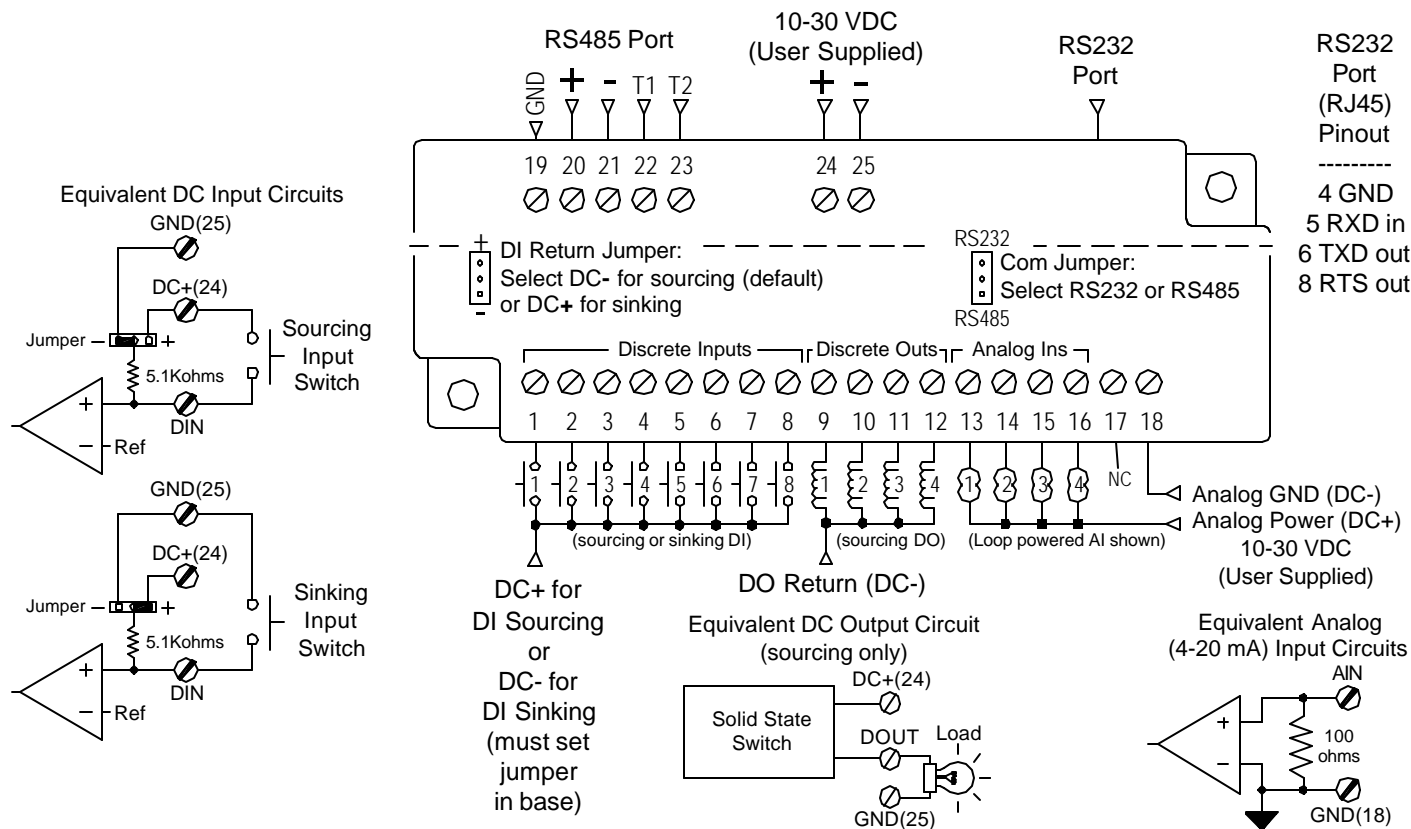
Serial Communications	RS485 or RS232 (selectable)
Protocols supported	Modbus ASCII & RTU, SIXNET
RS485	2 wire with optional line termination
RS232	TD, RD, and RTS (key a modem to transmit)
Supported baud rates	2400, 9600, 19200, 38400, 57600
Factory default	9600 baud, no parity, 8 data bits, SIXNET protocol
Environmental	DIN rail or panel mounting
Input power	10-30 VDC (less than 200 mW)
Input current	4 mA @ 24 VDC in power saver mode
Operating temp. range	-40 to +70°C
Storage temperature range	-40 to +85°C
Humidity (non-condensing)	5 to 95% RH
Vibration	IEC68-2-6
Electrical safety	UL508, CSA C22.2/14; EN61010 FCC part 15, ICES-003, EN55022 EN50082-1, EN61326-1
EMI emissions	
EMC immunity	
Surge withstand	IEEE-472
Hazardous locations	UL1604, CSA C22.2/213, (Class 1, Div 2 and Zone 2) EN50021, EEx nA II T4 X
Marine/offshore locations	Det Norske Veritas (DNV) No. 2.4 (Class A & B)

PRELIMINARY INFORMATION

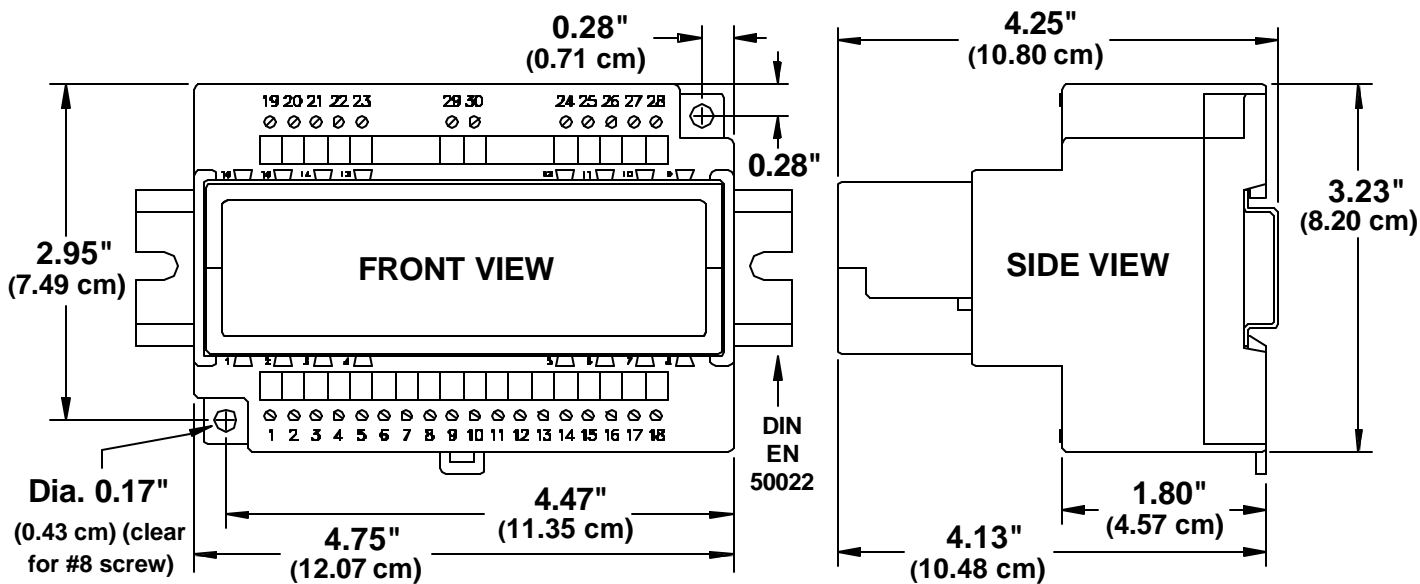


331 Ushers Road, P.O. Box 767, Clifton Park, NY 12065 USA
 +1 (518) 877-5173, Fax +1 (518) 877-8346
 email: sales@sixnetio.com www.sixnetio.com

RM-RTU-8440-F Power, Com and I/O Wiring

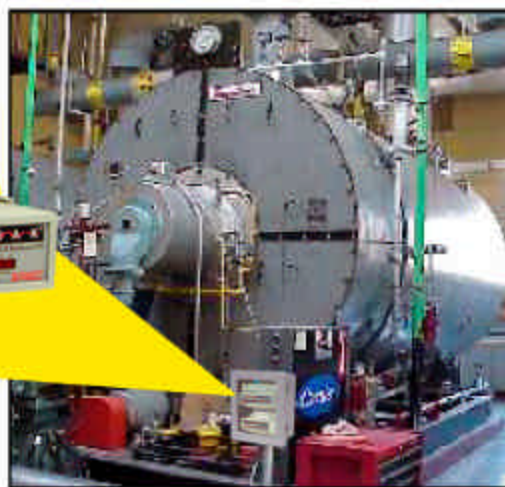
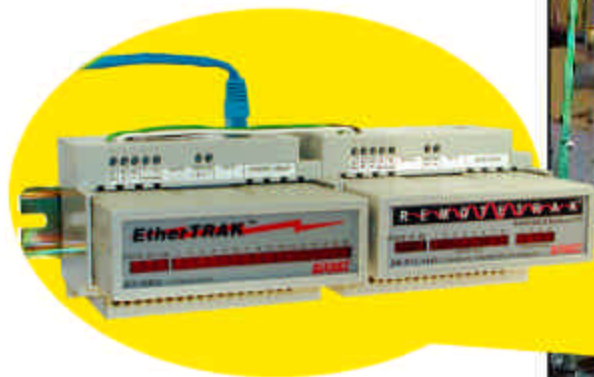
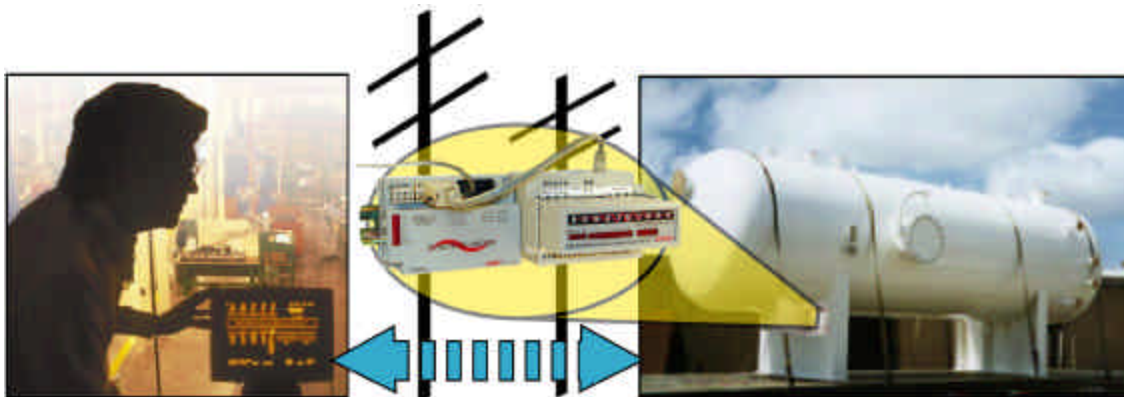


RM-RTU-8440-F Mechanical Dimensions



Applications Suggestions:

Poll this low power RTU with an industrial modem (such as SIXNET's VT-MODEM) or radio using SIXNET or Modbus protocol.



Expand the number of channels on an EtherTRAK (Ethernet) node with this combination I/O module.

This I/O module can be polled on a RS485 party line along with other RemoteTRAK I/O modules and RS485 Modbus devices.

