

Select a RM-8DI2 when...

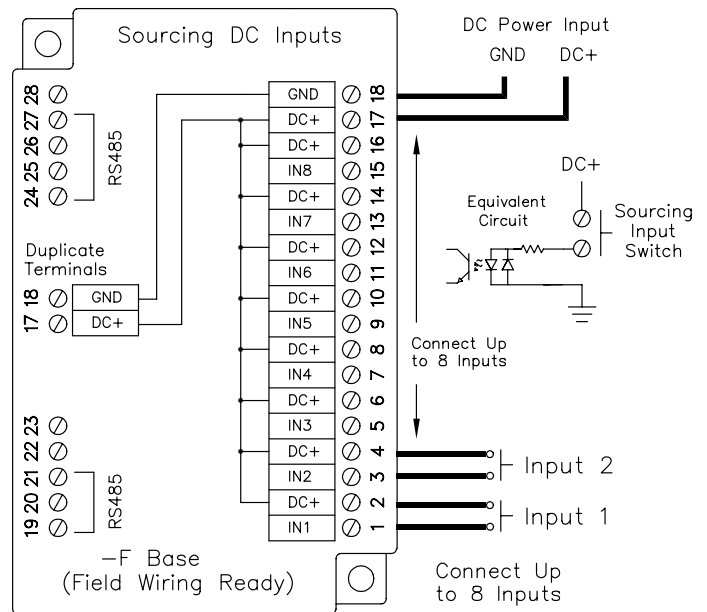
...you need a flexible choice of sinking, sourcing or individually isolated discrete inputs and/or pulse counters.

- Optical isolation on each channel for best reliability
- Autopolarity for DC sinking, sourcing or AC wiring
- Pulse counters with contact debounce filtering
- One high-speed counter channel to 2 KHz



RM-8DI2-F

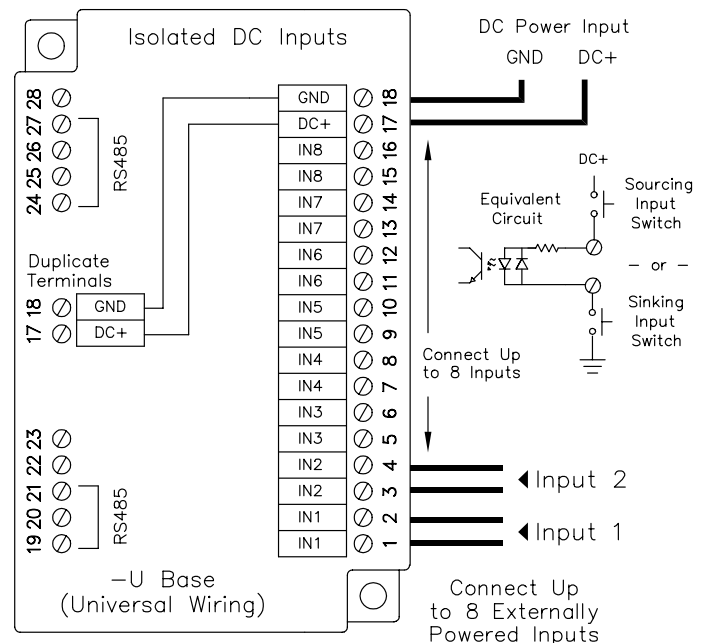
Performance Specifications	
Number of channels	8
Nominal input voltage	12/24 VDC/VAC
Guaranteed ON voltage (note 1)	9 VDC/VAC
Maximum input voltage	30 VDC/VAC
Guaranteed OFF current (note 2)	1.5 mA DC
Guaranteed OFF voltage (note 2)	5.0 VDC
Input resistance	2.4K Ohms
Nominal input current @ 24VDC	10 mA
Filtered ON/OFF delay (note 3)	25 mS (10 Hz counting)
Max. count frequency (fast mode)	100 Hz (2 KHz on channel 1)
Channel to channel isolation	500 Volts (w/-U base)
Isolation from internal circuitry	1200 Volts



Serial communication information	See page 19
RS485 isolation	1200 Volts RMS 1 minute
Required supply voltage	10-30 VDC (0.5 watt typical)
Operating temperature range	-30 to 70° C
Storage temperature range	-40 to 85° C
Humidity (non-condensing)	5 to 95%

- Notes:**
1. Minimum voltage guaranteed to turn the module ON.
 2. The maximum input current/voltage that will not switch the input from OFF to ON.
 3. Smart logic ignores transients, power line dropouts and switch contact bounce.

RM-8DI2-U



Ordering Information

Description	Part Number
Module with field wiring base	RM-8DI2-F
Module with universal wiring base	RM-8DI2-U
Replacement module only	RM-8DI2-M