

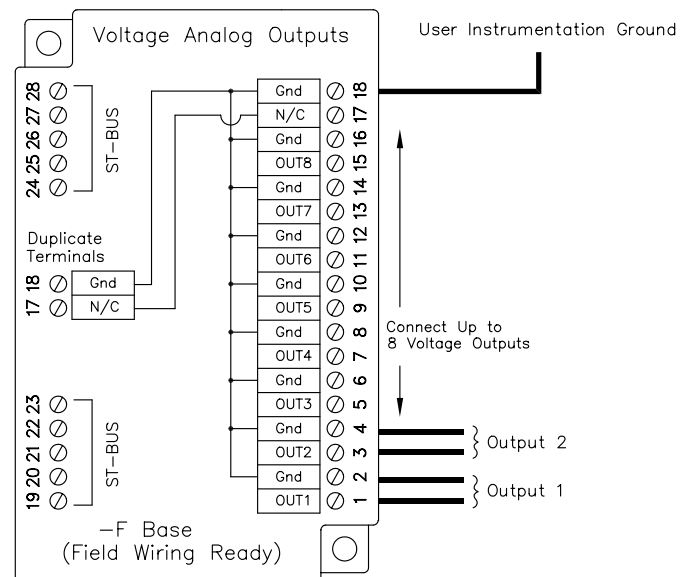
Select voltage analog outputs when...

...the inputs on your peripheral devices expect a voltage signal.

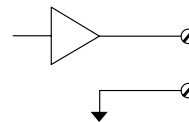
- Software selectable output ranges: 0-5, 0-10, +/- 5 and +/- 10 Volts
- High resolution removes "steps" from the outputs
- Outputs are group isolated to protect the module and eliminate ground loops
- No external power supply required. (Outputs are powered by module)



Performance Specifications	
Number of channels	8
Output ranges	+/- 5, +/- 10, 0-5, 0-10 Volts
D/A resolution	14 bits
Output resolution	1.5 mA
Full scale accuracy (@ 20°C)	+/- .05%
Output span adjustment	+/- 25%
Output offset adjustment	+/- 25%
Span temperature coefficient	+/- 50 ppm per °C
Offset temperature coefficient	+/- 50 ppm per °C
Maximum output settling time (to 0.05%)	5 mS
Maximum output current (from each output)	5 mA
Maximum ST-Bus power	2200 mW
Isolation (from ST-Bus)	1200 VDC
Operating temperature range	-30 to 70°C
Storage temperature range	-40 to 85°C
Humidity (non-condensing)	5 to 95%

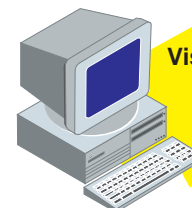


Equivalent Circuit



Ordering Information

Description	Part Number
8 Voltage Outputs w/Wiring Base	ST-AO-10V-08F
Module only	ST-AO-10V-08M



Visit our web site for the latest details!
www.sixnetio.com