

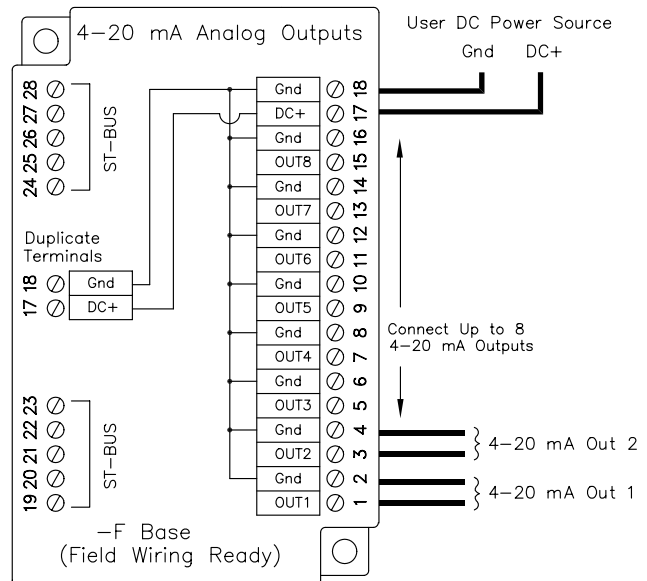
Select 4-20 mA analog outputs when...

...your actuators or instruments require current loop signals.

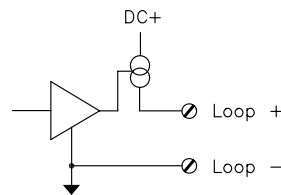
- High precision ensures accurate transfer of data
- High resolution removes "steps" from the outputs
- Outputs are group isolated to protect the module and eliminate ground loops
- Operates from a wide range of loop power supplies



Performance Specifications	
Number of channels	4 or 8
Output range	4-20 mA
D/A resolution	13 bits
Output resolution	2 μ A
Full scale accuracy (@ 20°C)	+/- .05%
Output linearity (@ 20°C)	+/- .02%
Output span adjustment	+/- 25%
Output offset adjustment	+/- 25%
Span temperature coefficient	+/- 50 ppm per °C
Offset temperature coefficient	+/- 50 ppm per °C
Maximum output settling time (to 0.05%)	5 mS
User loop voltage	10-30 Volts
Load resistance (@ +24 volt supply)	0-750 Ohms
Maximum ST-Bus power	500 mW
Isolation (from ST-Bus)	1200 VDC
Operating temperature range	-30 to 70°C
Storage temperature range	-40 to 85°C
Humidity (non-condensing)	5 to 95%



Equivalent Circuit



Ordering Information

Description	Module w/Base	Module Only
4 Current Outputs	ST-AO-20M-04F	ST-AO-20M-04M
8 Current Outputs	ST-AO-20M-08F	ST-AO-20M-08M