

Select high density discrete inputs when...

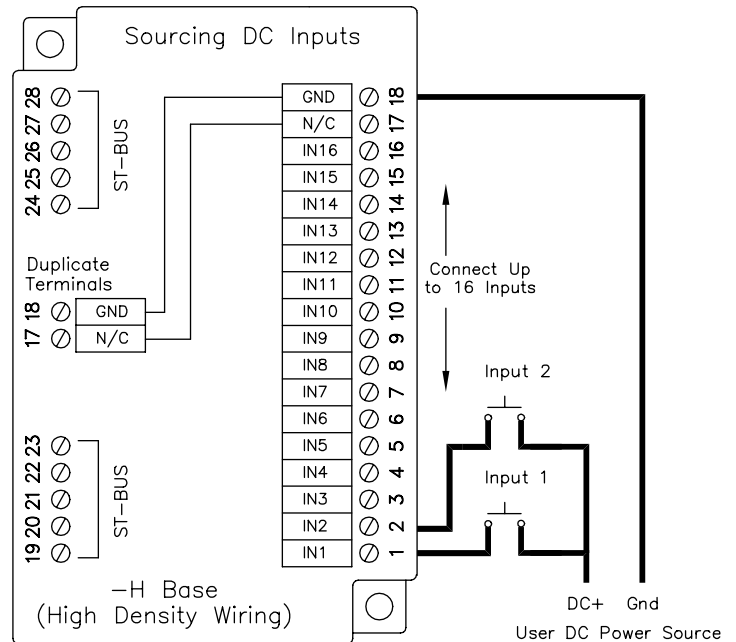
...isolation by module is suitable, and the convenience of return wiring terminals (provided on eight channel input modules) is not required.

- High density inputs save space and reduce cost
- All inputs return to a common ground
- Isolation protects system wiring from faults

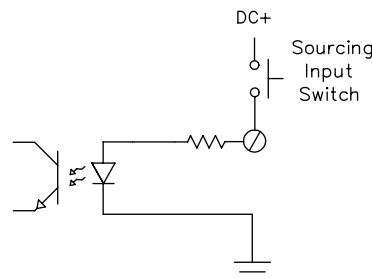


ST-DI-024-16H wiring

Performance Specifications		
	ST-DI-024-16	ST-DI-120-16
Number of channels	16	16
Nominal input voltage	12/24 VDC	120 VAC
Guaranteed ON voltage (note 1)	10 VDC	70 VAC
Maximum input voltage	32 VDC	140 VAC
Input resistance	3.3K Ohms	22K Ohms
Input current	3.5 mA@12 volts	5.5 mA@120 VAC
	7 mA@24 volts	
Guaranteed OFF current (note 2)	1.0 mA DC	1.0 mA DC
Guaranteed OFF voltage (note 2)	4.0 VDC	25 VAC
Maximum ON delay	4 mS	50 mS
Maximum OFF delay	4 mS	50 mS
Maximum ST-Bus power	600 mW	
Isolation (input to ST-Bus)	1200 V	
Operating temperature range	-30 to 70°C	
Storage temperature range	-40 to 85°C	
Humidity (non-condensing)	5 to 95%	



Equivalent Circuit



Notes: 1. Minimum voltage guaranteed to turn the module ON.
2. The maximum input current/voltage that will not switch the input from OFF to ON.

Ordering Information

Description	Module w/Base	Module Only
10-32 VDC	ST-DI-024-16H	ST-DI-024-16M
120 VAC	ST-DI-120-16H	ST-DI-120-16M

